

# CNLDS21 Order Form

Date \_\_\_\_\_  
 AVFI Sales REP \_\_\_\_\_  
 Customer Signature \_\_\_\_\_

Quote No. \_\_\_\_\_  
 Customer No. \_\_\_\_\_  
 AVFI No. \_\_\_\_\_

Office Use Only

To generate your order form, please refer to the information provided below to insert the alphabetic and/or numeric code in the respective category boxes. Please note that without this filled out Order Form, your purchase **cannot** be processed.

1 Product Model	2 Finish	3 Chargeable Accessories (One Code Per Box)	4 Custom Cutouts
<b>CNLDS21</b>			

**1 Product Model**



**3U Rack rails set included**

Code **CNLDS21**  
 \*Fits **DS72W-LFT** Studio Desk

**2 Choose Product Finish**

**Standard Finishes**

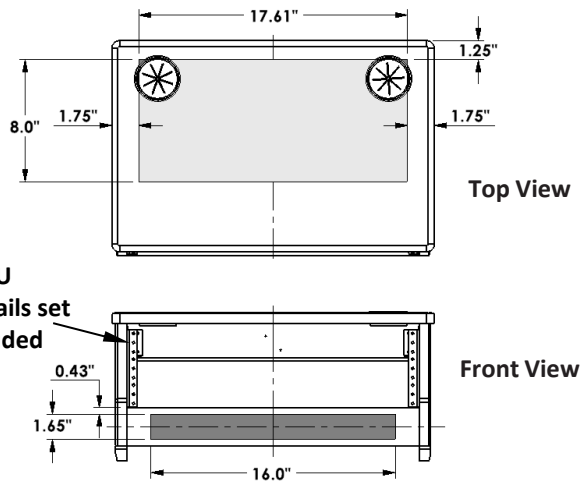
						
<b>CLT</b>	<b>RCT</b>	<b>SGT</b>	<b>FMT</b>	<b>CJT</b>	<b>HCT</b>	<b>ART</b>
						
<b>BRT</b>	<b>ELT</b>	<b>EBT</b>	<b>CWT</b>	<b>BAT</b>		

**3 Chargeable Accessories (Check all that apply)**

Code <b>OO</b>	No Accessories	Qty _____
Code <b>EF</b>	<b>CHGQIB</b> Wireless Charging Station, Black	Qty _____
Code <b>EJ</b>	<b>CUB22</b> 3 Module Power Panel (Black)	Qty _____
Code <b>EK</b>	<b>CUBM3</b> 3 Module Power & Data Panel (Black)	Qty _____
Code <b>EL</b>	<b>CUBM4</b> 4 Module Power & Data Panel (Black)	Qty _____



**4 Custom Cutout Option (Extra charges will apply)**

Please indicate custom cutout location on the drawing below



**3U Rack rails set included**

Code **CO** No Custom Cutout  
 Code **CC** Custom Cutout (Specify on Cutout Area Above)

-  Top Panel cutout Area (17.61" W x 8.0" D)
-  Front cutout Area (16" W x 1.65" D) for Power panels

§\*  
\*  
\*  
\*

\* Cutout Required (Extra Charges will apply)  
 § Only on Flat Cutout

**Comments (Please use this section to provide additional information)**

---



---



---

**Notes**

**CAD Drawings/Symbols**  
 CAD drawings are available by request at [sales@vegroup.net](mailto:sales@vegroup.net)

**Custom Cutouts** Estimated lead time within 20 business days from receipt of P.O. and signed drawings.

**Customizations**  
 Modifications to design such as shape and/or size variations have to be quoted on a per case basis and are applicable for quantities of 10+ only.